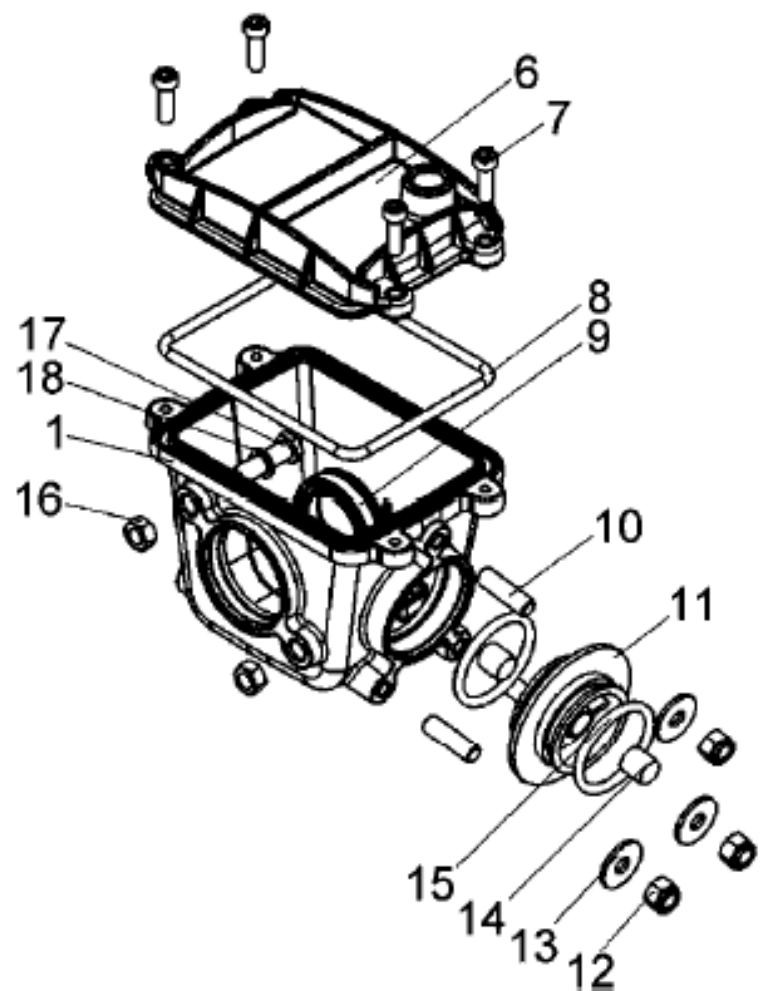
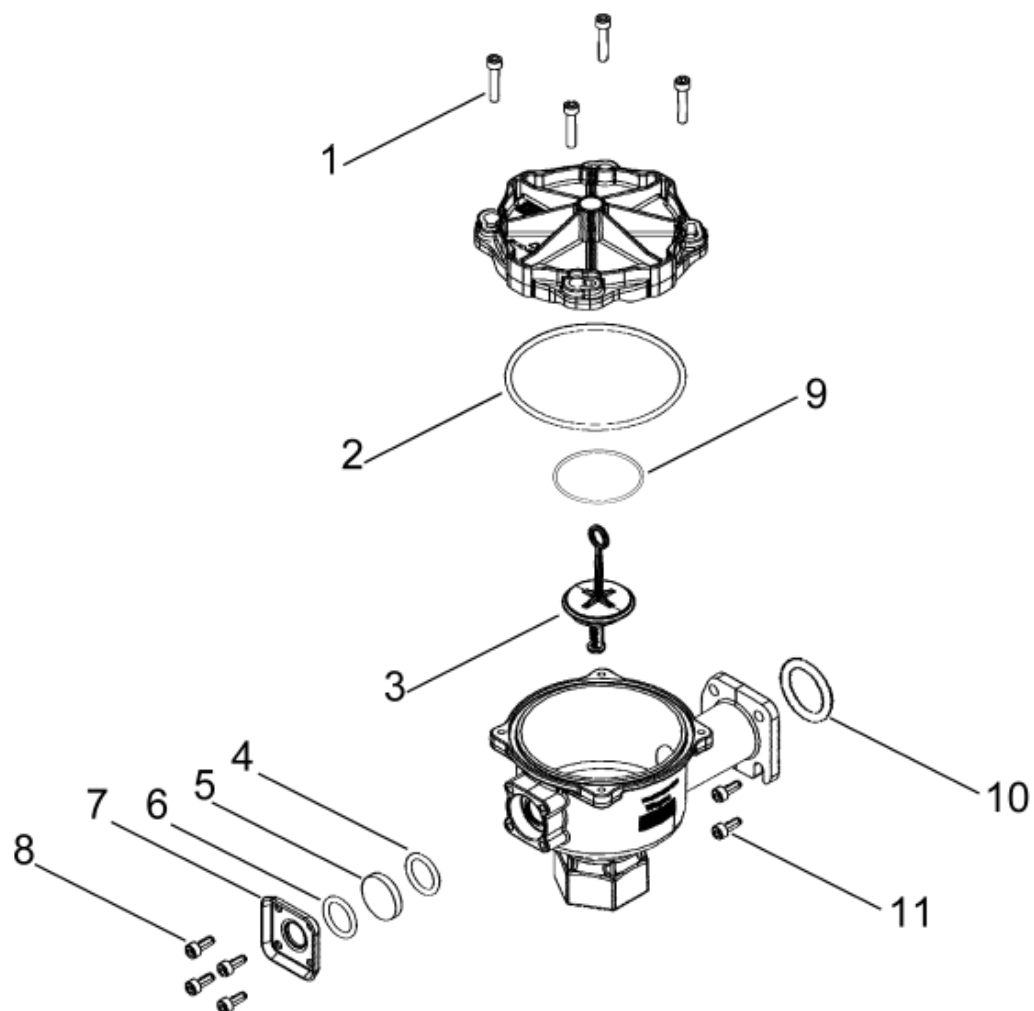




12.6 Filter pot

	Part number	Description
		Filter pot
	WM021502-0001	Standard, inlet left
	WM021502-0002	Standard, inlet right
	WM021502-0003	Hydro (indicates water), inlet left
	WM021502-0004	Hydro (indicates water), inlet right
	WM021502-0005	Bio diesel, inlet left
	WM021502-0006	Bio diesel, inlet right
1	WM020452-0001	Housing filter pot
2		Filter (When you opened the filter pot you need a new O-ring, WM021210)
	WM003157	Cellulose
	WM007580	Hydro (indicates water)
	WM021247	Bio diesel
3,4,5	---	---
6	WM007307	Cover filter pot
7	WB000211-0003	Screw, hexagon socket cap, M6 X 20
8	WM021210	O-ring formed T=4 mm
9	WM003152	Seal (rubber)
10	WB000375-0001	Stud, M8 x 30
11	WM020485	Coupling, straight filter pot
12	WB000229-0004	Lock nut, M8 (Do not tighten too hard, T=3 Nm) (for galvanic isolation use washer WM000627-001 and lock nut WB000229-0004)
13	WB000627-0001	Washer, plain, M8 , large ID=8,4, OD=24, T=2
14	WM002209	Magnet
15	WM020495	O-Ring T=3,65, ID=41,5
16	WB000228-0004	Nut, M8
17	WM017243	Seal ID=8,7, OD=14, T=1,5
18	WM009022-0001	Screw, hex head, M8 x32, low head, thread 12 MM



HELIX



 <p>12.</p>	 <p>13.</p>		
13		Filter	
	WM051632-0001	- Cellulose, standard 25 micron	1
	WM051632-0002	- Cellulose, hydro stop, 25 micron	1
	WM051632-0003	- Polyester, biodiesel, 30 micron	1